

RECOMMENDED PCB LAYOUT
GENERAL TOLERANCE ±0.05

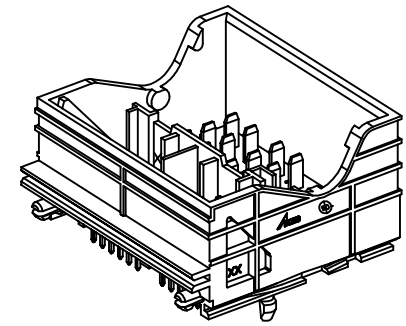
- NOTES:
- MATERIAL:
 - HOUSING: THERMOPLASTIC, HIGH TEMP., UL94V-0; COLOR: BLACK.
 - CONTACT: COPPER ALLOY
 - FINISH:
 - 50u" MIN. NICKEL PLATING OVERALL
 - 100u" MIN. TIN PLATING OVERALL
 - THE CAVITY, LOGO MAX. HEIGHT 0.10mm ABOVE SURFACE. THE TEXT HEIGHT IS ABOUT 1mm.
 - IF ANY DIMENSIONS OR DRAFT ANGLES WEREN'T MARKED, PLEASE REFER TO 3D DRAWING.
 - SPEC. PLS. REFER TO SPEC-92004-XXXXX
 - PACKAGE PLS. REFER TO 92004-TB
 - PART NUMBER

92004-040 X X-001

NO OF CKT
040: 40PIN

PACKING
1: TUBE

PLATING
L: PURE TIN (LEAD FREE)



一般公差 TOLERANCES X ±0.5 XX ±0.15 X ±0.25 .XXX ±0.1 ANGLES ±2°	宏致電子股份有限公司 Aces Electronics Co.,Ltd.		製圖 (DR) 16'/02/23 POLK 審核 (CHKD) WARLES
檢驗尺寸標示 SYMBOLS Ⓢ Ⓣ INDICATE CLASSIFICATION DIMENSION Ⓢ MARK IS CRITICAL DIM. Ⓣ MARK IS MAJOR DIM.	品名 (TITLE) 2.54MM MICRO POWER QUADLOK 圖號 (DWG NO.) 92004-040XX-001	核准 (APPD) SEAN	張數 (SHEET) 1 OF 1
表面處理 (FINISH)	比例 (SCALE) 1:1	單位 (UNITS) mm	SIZE A4